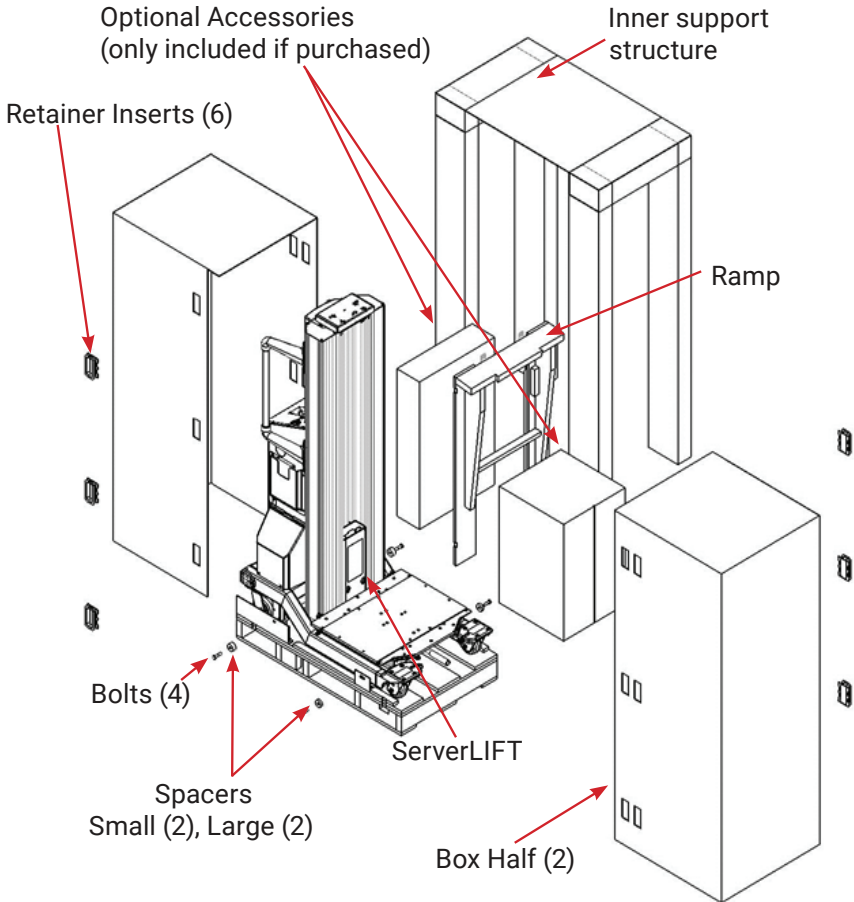


Unpacking Instructions

Included is a ratchet and 17mm socket to remove the lift from the pallet

Before opening box or signing Bill of Lading: Check outside of packaging for any sign of shipping damage, including "Tip-N-Tell" tip indicators per instruction on label. Fully document any damage or tip indication with photos and description. Contact Shipper before opening if any damage or indication of tipping is present.



Use your phone camera to scan this QR code to watch a video on how to unpack the machine, or visit www.serverlift.com/unpacking



Step 1: Cut banding if present. Remove retainer inserts as shown (see detail). Carefully pull apart carton halves and remove. **SAVE CARTON FOR FUTURE USE.**

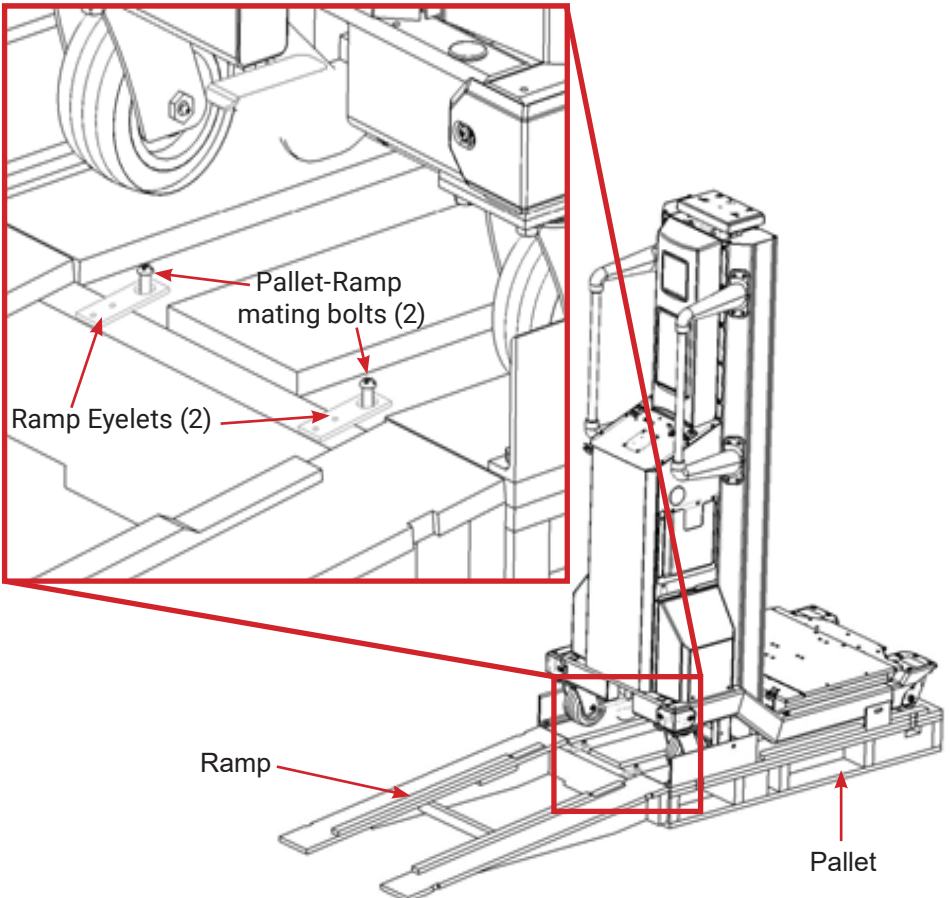
Pull tabs out and collapse retainer insert to remove

Step 2: Remove box inner support structure (top support and all four side supports).

Step 3: Cut banding and/or plastic film wrap. Unload ramp, plastic slip sheet, cardboard, and any optional boxed accessories from unit platform.

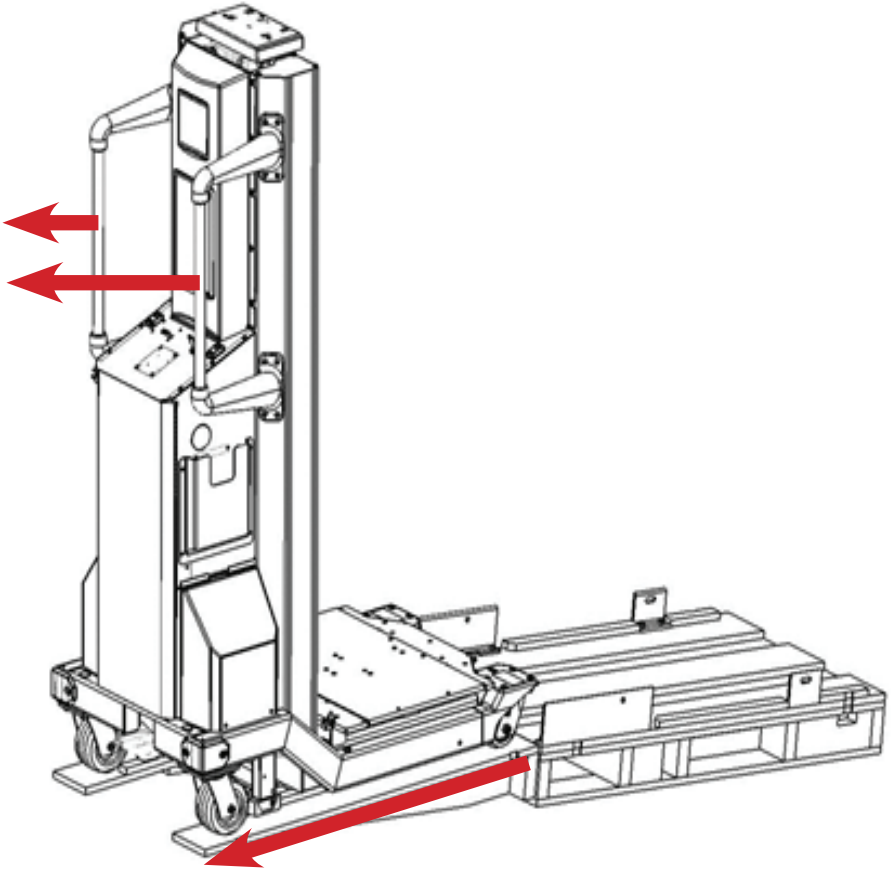
Step 4: Included is a ratchet and 17mm socket to remove the lift from the pallet. Unbolt ServerLift unit from pallet in four places. Four spacers are used around ServerLift unit frame. Retain bolts and spacers for any future shipping.

Step 5: Position ramp against end of pallet. Ensure ramp eyelets hook onto pallet screws as shown below.



Step 6: Ensure brake is "off" per instructions in Operator's Manual. Holding both handles, carefully roll ServerLIFT unit down ramp to floor. Retain Pallet and Ramp for future shipping of ServerLIFT unit.

NOTE: *Moving the ServerLIFT unit without it's customized pallet and ramp is unsafe and makes the possibility of shipping damage very likely.*



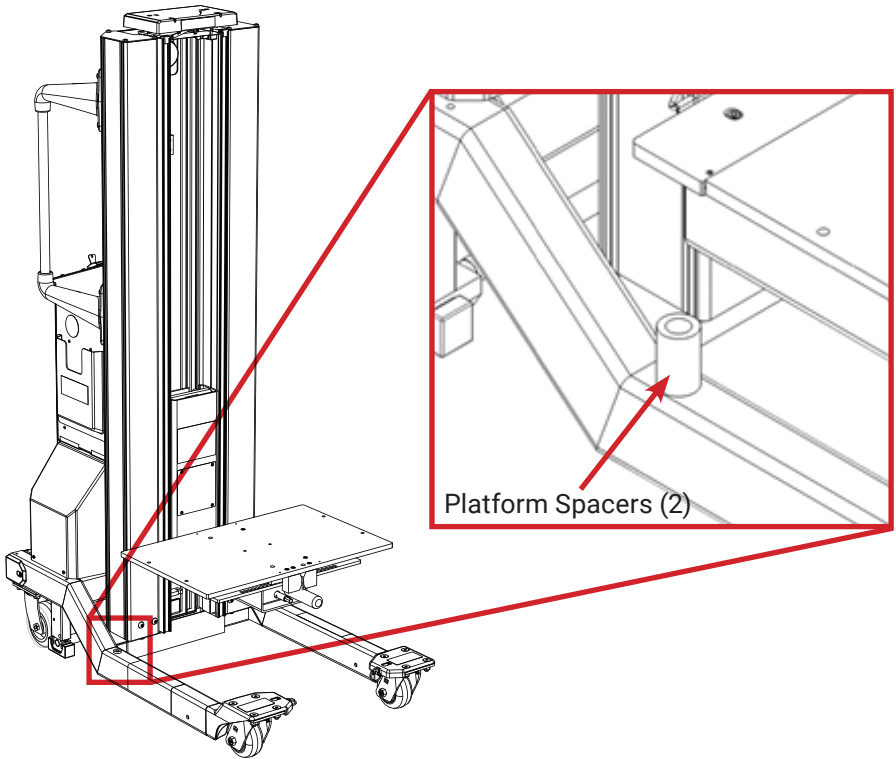
**SAVE PALLET, RAMP, PLATFORM,
AND PACKING CARTON!**

They are needed for moving the ServerLIFT device to other locations.

Continued on next page >

Step 7: Bring platform up a short distance and remove the shipping spacers from the frame rails of the unit as shown. Retain spacers for future shipping.

NOTE: Platform spacers are plastic. They are easily removed by hand. They are centered over a metal stop "button" that is **not** removed.



READ & UNDERSTAND

**THE OPERATOR'S MANUAL
BEFORE USING THIS MACHINE**

Failure to correctly follow operating instructions could result in death or serious injury.

MANUAL MUST REMAIN WITH MACHINE



ServerLIFT LLC

17453 N. 25th Ave. Phoenix, AZ 85023

P: 602.254.1557 F: 602.254.1975

www.serverlift.com