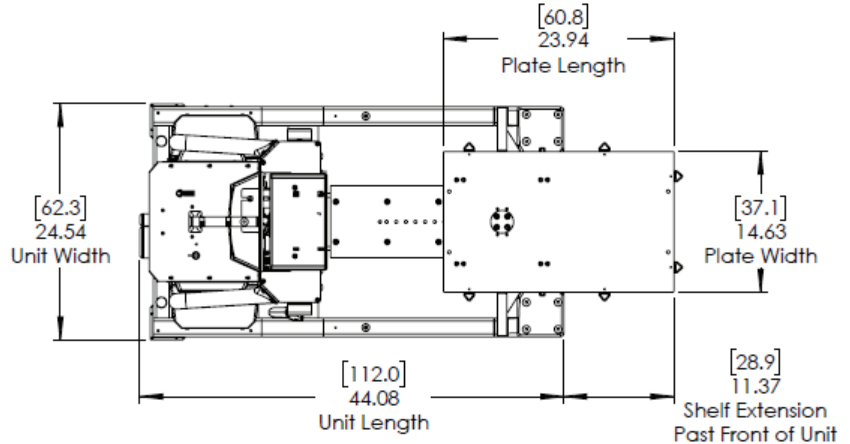
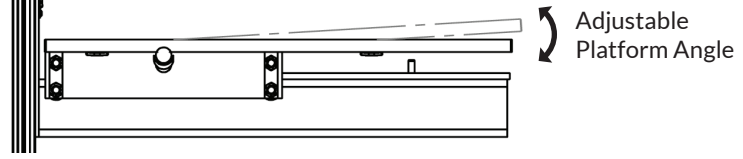
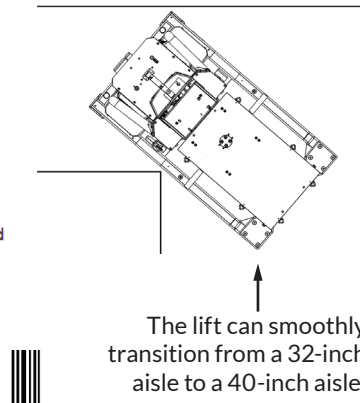
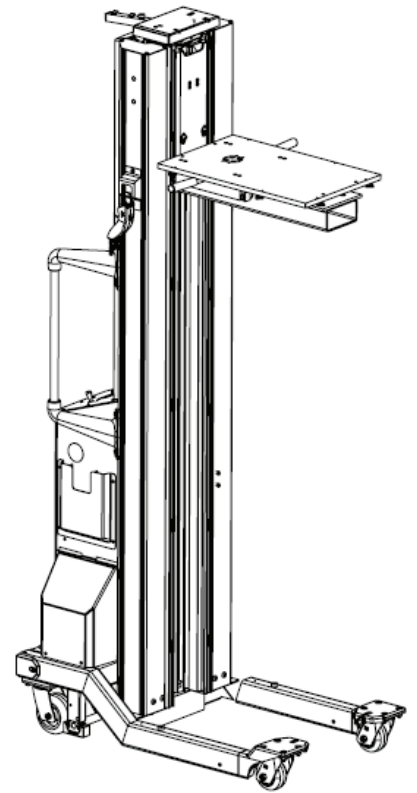
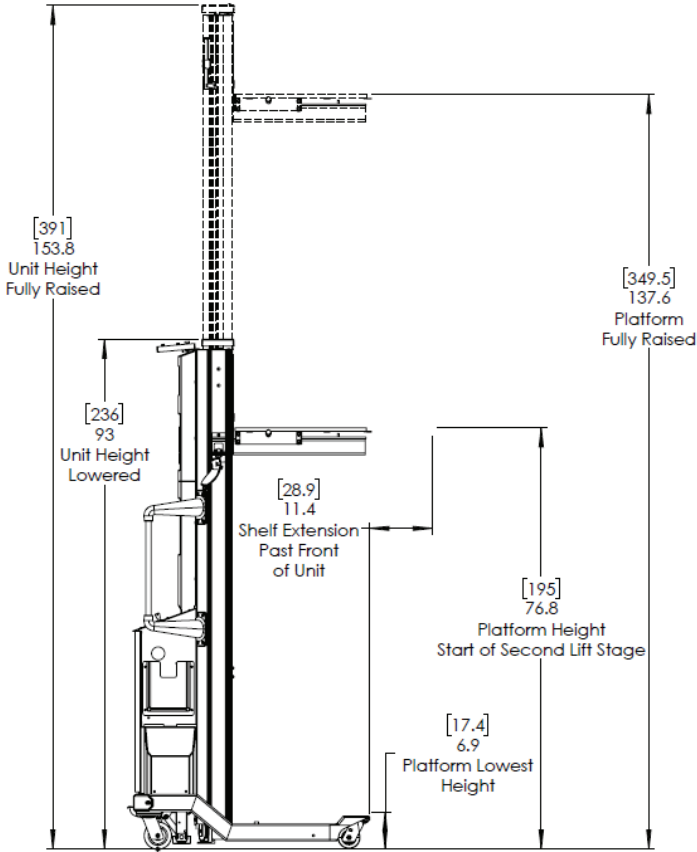
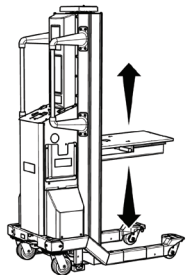
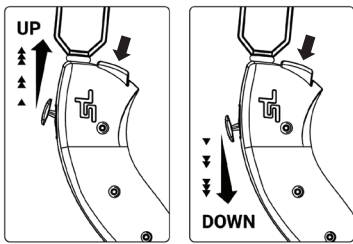




SL-500FXL FINE ADJUST TOWERLIFT™ Extended Height Data Center Lift

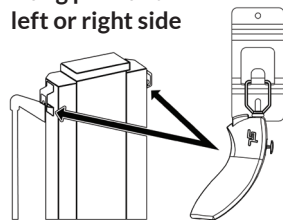


Push joystick to move platform



- ✓ The pendant can hang on either side of the lift.
- ✓ The pendant has progressive speed control for precise equipment positioning.
- ✓ The safety button must be held throughout the operation for safe use.

Hang pendant on left or right side



Front Caster Swivel Lock Operation



Capacity

DESCRIPTION	US (lb)	METRIC (kg)
Platform (Platform Retracted)	500	227
Platform Edge (Platform Extended)	350	159

Weight

DESCRIPTION	US (lb)	METRIC (kg)
Total unit weight	672	305
Shipping weight	795	361