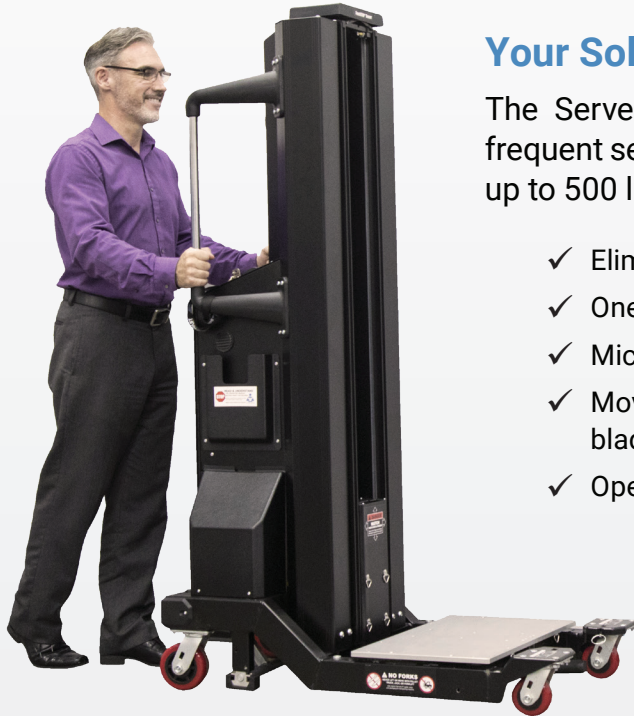




Best All-Around Data Center Lift

SL-500X® Electric Lift



Your Solution for Everyday Server Handling.

The ServerLIFT® SL-500X® powered lifting device is optimal for frequent server moves, fast installations, and handling IT equipment up to 500 lbs.

- ✓ Eliminates risk of equipment damage and injury
- ✓ One tech per move, every time
- ✓ Micro-leveling SmartTILT™ shelf adjustment for precise alignment
- ✓ Move and install stacks of light, thin servers, or fully populated blade chassis
- ✓ Operates a full day on one charge



Safe, quick, seamless server migration operations.

With its powerful electric motor, the SL-500X® data center lift handles, lifts, and supports light to heavy servers, switches, and storage arrays. It makes the transportation, positioning, and installation or removal of rack-mounted equipment a breeze.

- ✓ 500 lb (227 kg) lift capacity
- ✓ Lifts and supports servers to over 52U high (8 ft or 2.44 m)
- ✓ Side-loading usability for loading parallel to racks on either side of an aisle
- ✓ Over 2° of platform angle tilt adjustment
- ✓ Can traverse grades up to a maximum of 6°
- ✓ Optional 1-, 3-, or 5-year Extended Service and Warranty contracts



602.254.1557 • solutions@serverlift.com • ServerLIFT.com

© ServerLIFT Corporation, Phoenix, AZ 85023

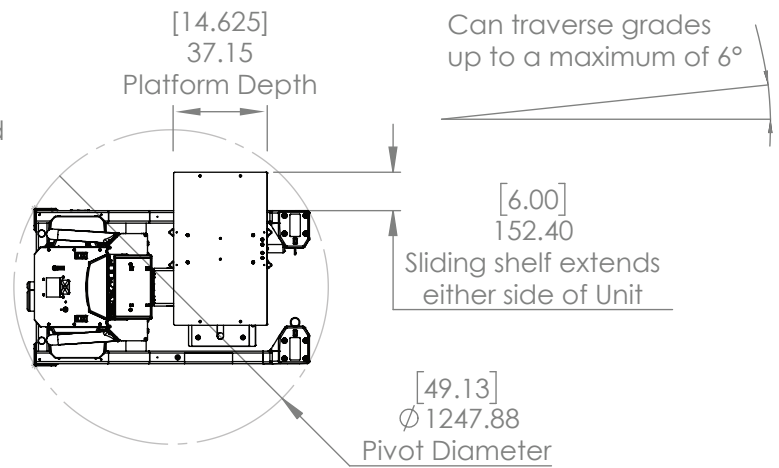
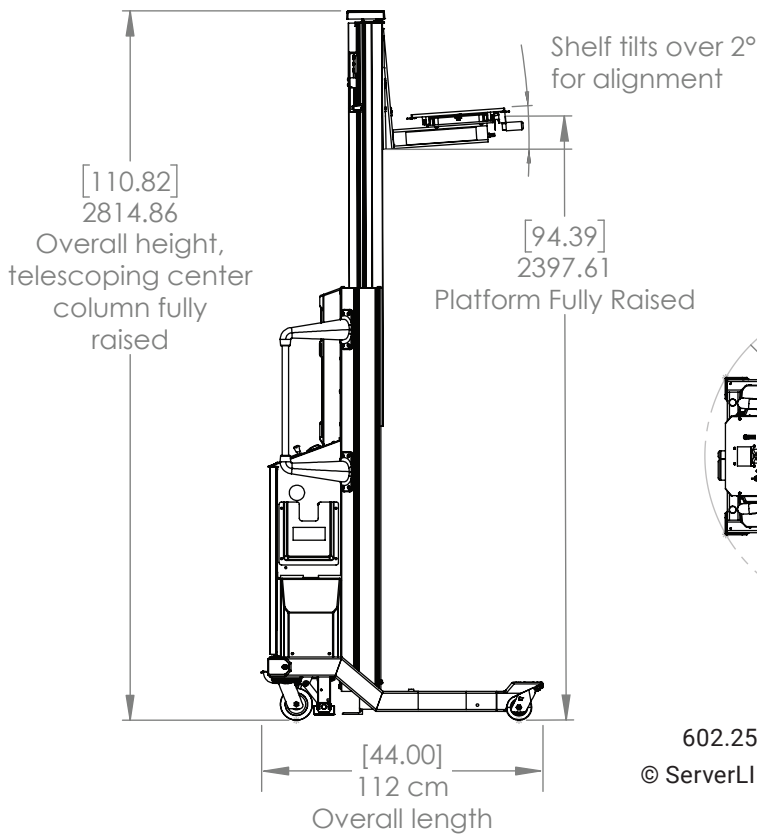
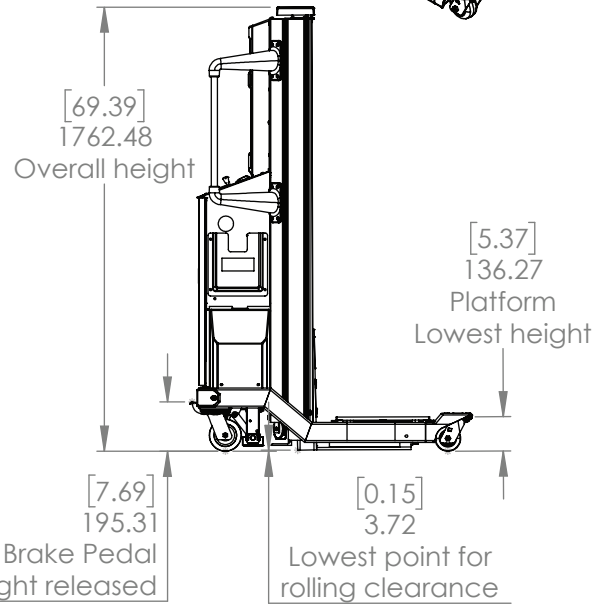
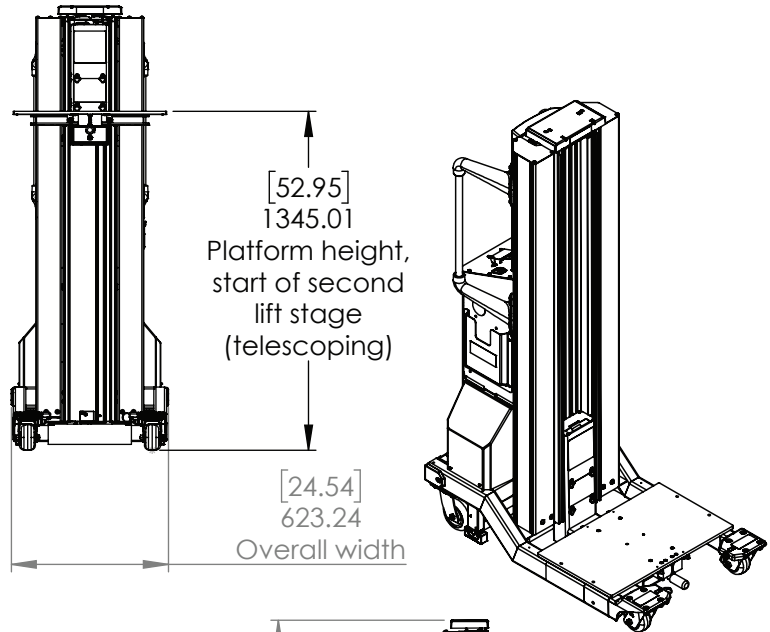


Working Dimensions	US	Metric
Platform Height, Extended	7.86'	2.4 m
Platform Height, Lowered	5.37"	13.6 cm
Shelf Movement per side	6.0"	15.2 cm
Movable Platform Width	14.6"	36.8 cm
Platform Width	24"	61.0 cm
Platform Angle Adjustment	2°	2°
Rear Caster Wheel Diameter	5"	12.7 cm
Front Caster Wheel Diameter	4"	10.2 cm
Caster Wheel Width	2"	5.08 cm
Zero Turn Radius*	0°	0°
Aisle & "T" Intersection Turn Limit	32"	81.3 cm
Minimum Aisle Width	25"	63.5 cm

*Unit can pivot on axis when front casters are unlocked

Product Dimensions	US	Metric
Unit Height (Lowered)	5' 9.4"	1.76m
Unit Height (Raised)	9' 2.8"	2.81m
Length	3' 8"	1.12m
Width	2' 0.5"	0.62m

Capacity and Weight	US	Metric
Capacity at Platform Center	500 lbs	227 kg
Capacity at Platform Edge	300 lb	136 kg
Total Unit Weight	455 lb	206 kg
Shipping Weight	557 lb	253 kg
Rated Cable Failure Load	4000 lb	1814 kg



Can traverse grades up to a maximum of 6°

602.254.1557 • solutions@serverlift.com
 © ServerLIFT Corporation, Phoenix, AZ 85023

ServerLIFT.com

