



Server Support Deep Into Racks

SL-500FX™ Front-Loading Lift



The ServerLIFT SL-500FX™ data center lift loads servers from the front with an extended shelf for deeper support into cabinets. This is especially useful when supporting servers for fixed rail and face-mounted installs. System integrators, test labs, or any facility with 5 ft (1.5 m) or more of space in front of the rack will benefit from its versatile, stable, and forward-sliding platform.



- ✓ Eliminates risk to equipment and personnel
- ✓ Supports servers when traversing over pallets
- ✓ One tech per move, every time
- ✓ Precise server positioning
- ✓ Micro-leveling SmartTILT™ shelf adjustment for precise alignment
- ✓ Operates a full day on one charge

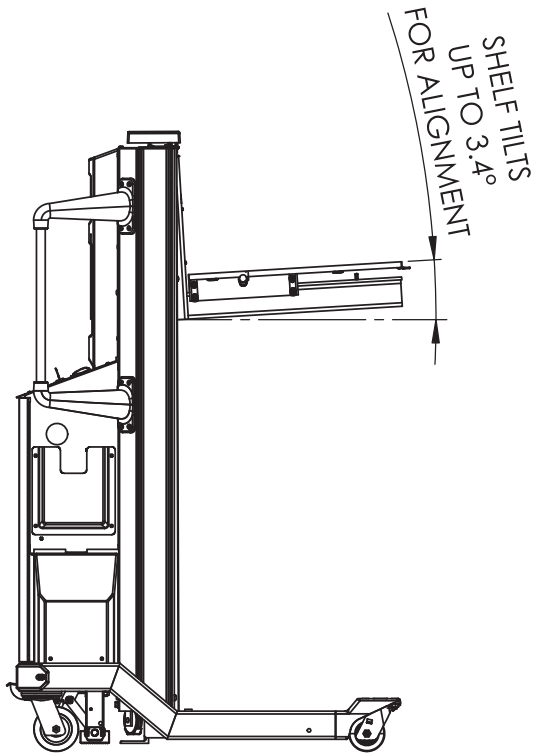
Deeper Support from Front-Loading Platform

The front-loading platform provides deeper support into the server cabinet and greater maneuverability to carry out the three essential functions of a data center lift: install/remove, transport, and position.

- ✓ 500 lb (227 kg) load capacity
- ✓ Supports equipment up to 20" into rack
- ✓ Lifts and supports servers to over 52U high (8 ft or 2.44 m)
- ✓ Up to 3.4° of platform angle tilt adjustment
- ✓ Compatible with all platform-top mounted ServerLIFT accessories
- ✓ Optional 1, 3, or 5-year extended service and warranty contracts

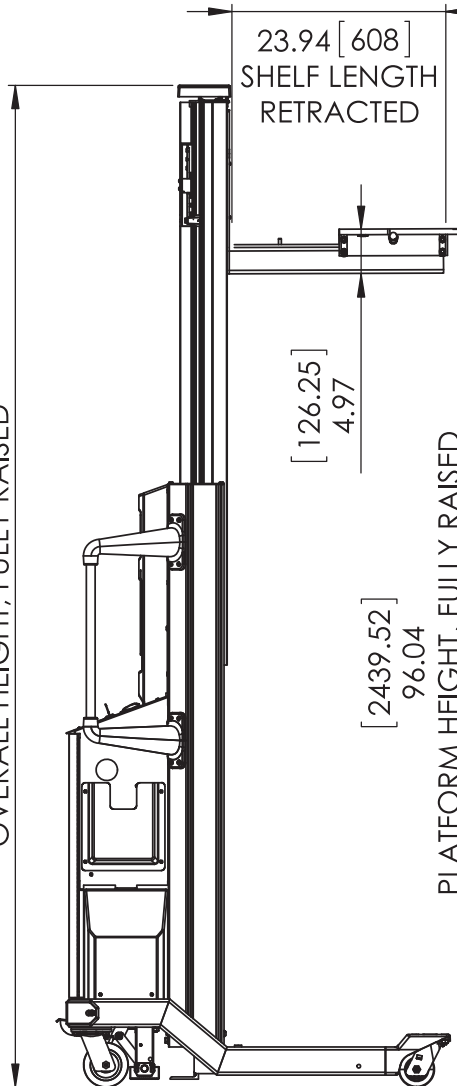


- Weight: 458 lbs [207.75 kg]
- Shipping Weight: 570 lbs [258.55 kg]
- Zero Turn Radius (can pivot on axis when front casters are unlocked)
- Aisle and "T" Intersection turn limit: 32" [81.28 cm]
- Front Shelf extended distance from front of unit: 11.48" [29.16 cm]
- Minimum Aisle Width: 25" [63.5 cm]
- Shelf upper height, fully extended: 8' [243.9 cm]
- Shelf lowest height: 6.55" [16.39 cm] off the ground
- Maximum load capacity rating: 500 lbs [226.80 kg]

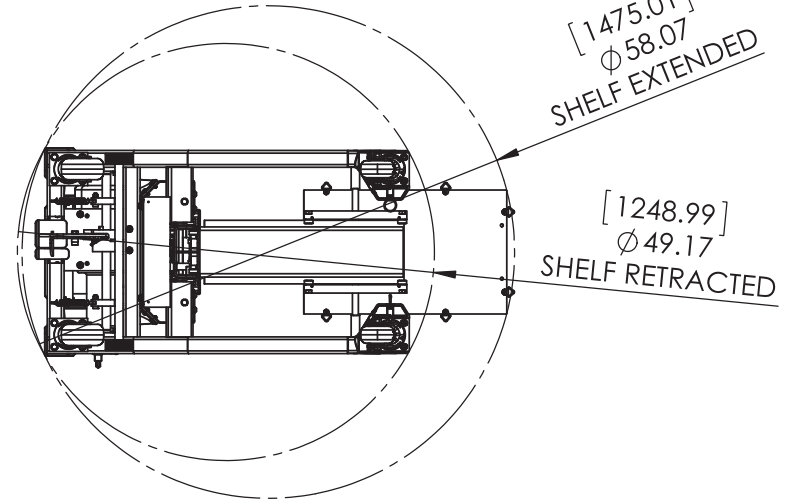
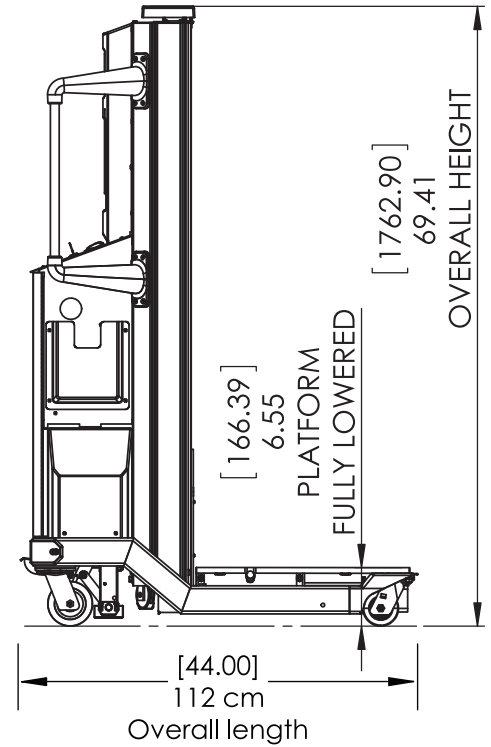


[2849.30]
112.18

OVERALL HEIGHT, FULLY RAISED



11.48 [291.58]
SHELF SLIDES PAST FRONT OF UNIT FULLY EXTENDED



phone (602) 254-1557
fax (602) 254-1975
17453 N. 25th Ave.
Phoenix, AZ 85023
www.ServerLift.com

© COPYRIGHT SERVERLIFT CORPORATION
THE INFORMATION IN THIS DRAWING IS CONFIDENTIAL
AND IS THE SOLE PROPERTY OF SERVERLIFT OR ITS
CLIENT. REPRODUCTION IN WHOLE OR IN PART
WITHOUT WRITTEN PERMISSION OF SERVERLIFT IS
PROHIBITED.

ADDITIONAL DETAIL: