

Easily Unpack Servers from Boxes

LE-Series Lift Extensions



Never manually unpack boxes and lift equipment again. The ServerLIFT LE-500X® and LE-1000X® Lift Extensions safely lift and remove servers, switches, UPS devices, and other rack-mounted equipment out of crates and boxes without destroying the packaging or straining your back.

The heavy-duty slings simply feed under the server or switch in the box and attach to the Lift Extension, allowing the ServerLIFT® unit to raise the server up so you can remove the packaging without hassle.

LE-Series Model	Max. Load Rating	Compatibility
LE-500X	500 lb (227 kg)	SL-500X®, SL-350X®
LE-1000X	700 lb (318 kg)	SL-1000X®

The LE-500X Lift Extension works with any ServerLIFT SL-500X® or SL-350X® lift, while the LE-1000X® Lift Extension is compatible with the ServerLIFT® SL-1000X® machine. They extend out in front of the ServerLIFT® machine, providing ample forward clearance to position the extension attachment hooks and slings over the top of servers in any box - even when the box is on a pallet.

Easy to Use:

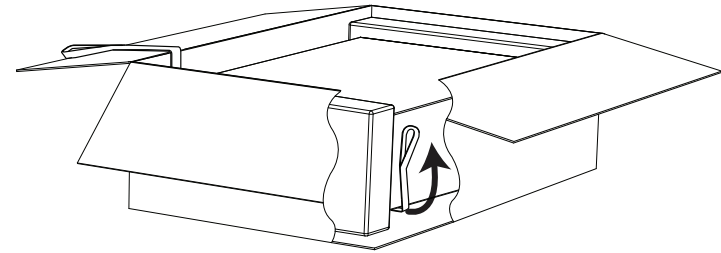
- ✓ Attaches to the ServerLIFT® unit with ease - no tools or hardware needed
- ✓ Includes extension frame, two slings, four hooks, and storage bag
- ✓ Lightweight yet rigid heavy-duty steel construction



Using the LE-Series Lift Extensions to Remove Servers from Boxes

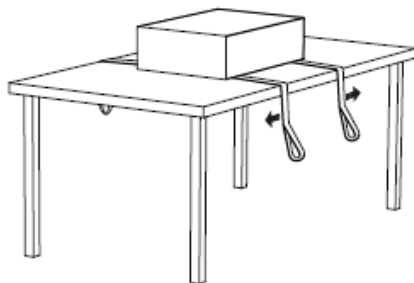
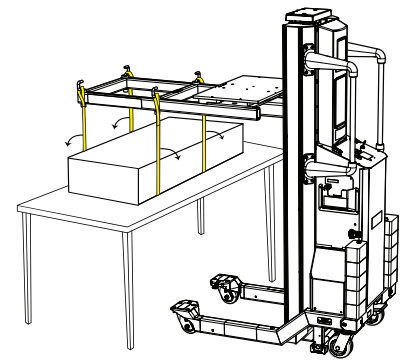
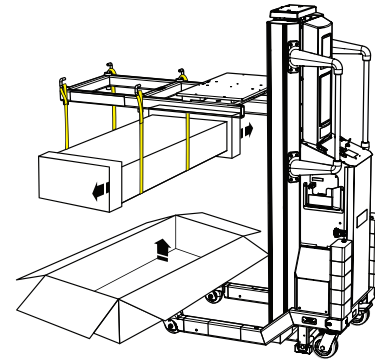
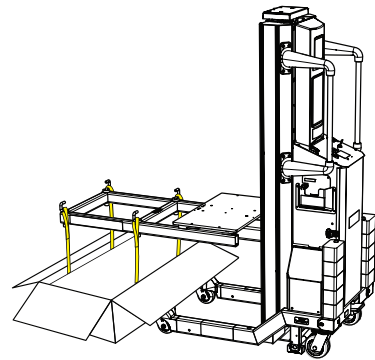
1 Preparing the server and LE Series Lift Extension

1. Insert all four sling hooks into the LE Series Lift Extension.
2. Hook loop end of one yellow sling onto rear sling hook on one side.
3. Feed loose end of the sling from back to front under the server while server remains in box.
4. Hook loose loop end of the sling into the front sling hook on the same side.
5. Repeat with the second sling and sling hooks on the other side.



2 Lifting the server out of box

1. Lift equipment out of box and remove packaging.
2. Lower equipment down onto a table or secure surface.
3. Remove yellow slings from sling hooks.
4. Remove slings from under equipment.
5. Disengage swing arm, remove Lift Extension from ServerLIFT unit, and safely set aside Lift Extension.
6. Slide equipment from table onto ServerLIFT Platform and Easy Glide Shelf.



Weight: 38 lb [17.24 kg]

The LE Series includes:

- 2 slings
- 4 sling hooks
- 1 storage bag
- 4 rubber feet
- 4 spacers

phone (602) 254-1557
 fax (602) 254-1975
 Phoenix, AZ 85023

PART NO.

LE Series

DIMENSIONS ARE IN INCHES
 [SECONDARY DIMENSIONS ARE
 IN CENTIMETERS]