

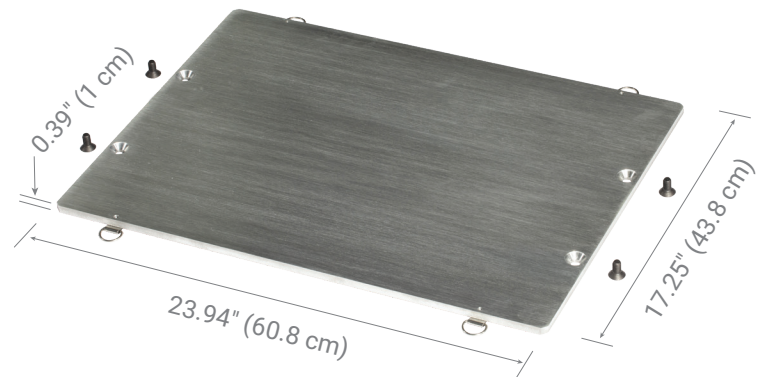
# Extended Side Support for Wide Servers

## WS-1X Wide Shelf



**17" (43.2 cm) wide plate attachment provides additional shelf surface area to fully support servers across their entire width.**

Compatible with the ServerLIFT SL-500X Data Center Lift, the WS-1X Wide Shelf attachment delivers the perfect amount of support for servers with side-structural frames such as the NVIDIA DGX-2.



The WS-1X Wide Shelf has been specifically designed for use with the **NVIDIA DGX-2**.



Supports up to 500 lbs (227 kg) at the center and 300 lbs (136 kg) at the extended side edge.

The WS-1X Wide Shelf includes:

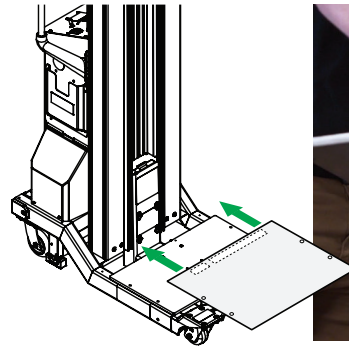
- Four (4) attachment bolts
- One (1) 6 mm hex wrench



# Unpacking and installing an NVIDIA DGX-2 using the ServerLIFT SL-500X Data Center Lift and the WS-1X Wide Shelf attachment

## 1 Installing the WS-1X Wide Shelf attachment

1. Unbox and place the WS-1X attachment **label-side down** onto the ServerLIFT unit platform. The shelf must be oriented with the label towards the rear of the ServerLIFT unit.
2. Adjust placement of shelf for bolt-hole alignment. Secure all 4 attachment bolts.



## 2 Unpacking the NVIDIA DGX-2 server

1. Remove outer packaging per the manufacturer's instructions.
2. Position the ServerLIFT SL-500X unit in front of the server pallet. Raise the ServerLIFT platform so the surface of the WS-1X Shelf is just below the DGX-2 server.
3. Roll the SL-500X unit forward until the entire WS-1X Wide Shelf surface is under the full width of the DGX-2 server. (the ServerLIFT base legs should easily fit and roll under the pallet)
4. Engage the ServerLIFT SL-500X brakes and turn the power ON. Raise the platform to lift the DGX-2 off of the pallet. Turn the power OFF and remove any packaging from server.
5. Secure the DGX-2 to the ServerLIFT Platform by attaching and tightening the black ServerLIFT straps to the front and back D-rings on the WS-1X Wide Shelf as shown.



## 3 Installing the NVIDIA DGX-2 server

1. Using the ServerLIFT unit, transport the DGX-2 to the desired rack location and position it into place. Engage the brakes.
2. Install the DGX-2 attachment rails into the rack per the manufacturer's instructions.
3. Turn data center lift power ON. Raise the platform to position the bottom of the server in line with the rails. Turn the power OFF.
4. Remove the attachment straps.
5. Shift the ServerLIFT Platform Shelf and server sideways into the rack. Slide the server off of the WS-1X Shelf and onto the attachment rails until it is fully positioned and secure in the rack.
6. Shift the ServerLIFT Platform Shelf back to its neutral position. Disengage the brakes and roll the ServerLIFT unit away.



Phone (602) 254-1557  
Fax (602) 254-1975  
17453 N. 25th Ave Phoenix, AZ 85023  
[www.ServerLift.com](http://www.ServerLift.com)

PART NO.  
**WS-1X**

**DIMENSIONS ARE IN INCHES**  
[SECONDARY DIMENSIONS ARE IN CENTIMETERS]