



Getting servers in or out of slotted rails is awkward and tricky. **The RS-500X Rail Lift safely tilts rack-mounted equipment to the perfect angle for aligning and guiding server nailheads into or out of J-shaped rail slots.**

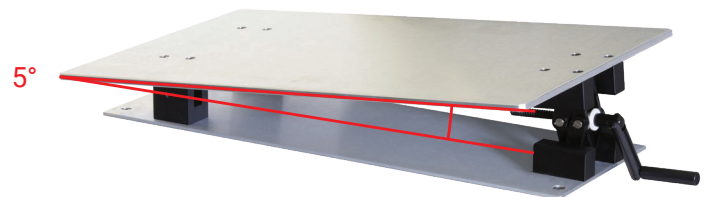
It is compatible with all ServerLIFT machines and can be used to support servers at an angle or perfectly level, making all manner of rack-mounted installations and removals simple and easy.

- ✓ Eliminates clumsy manual server tilting and support
- ✓ One tech can easily align and install heavy servers into drop-in slotted rails
- ✓ Operator controls amount of tilt desired

Awkward Server Angling Made Easy

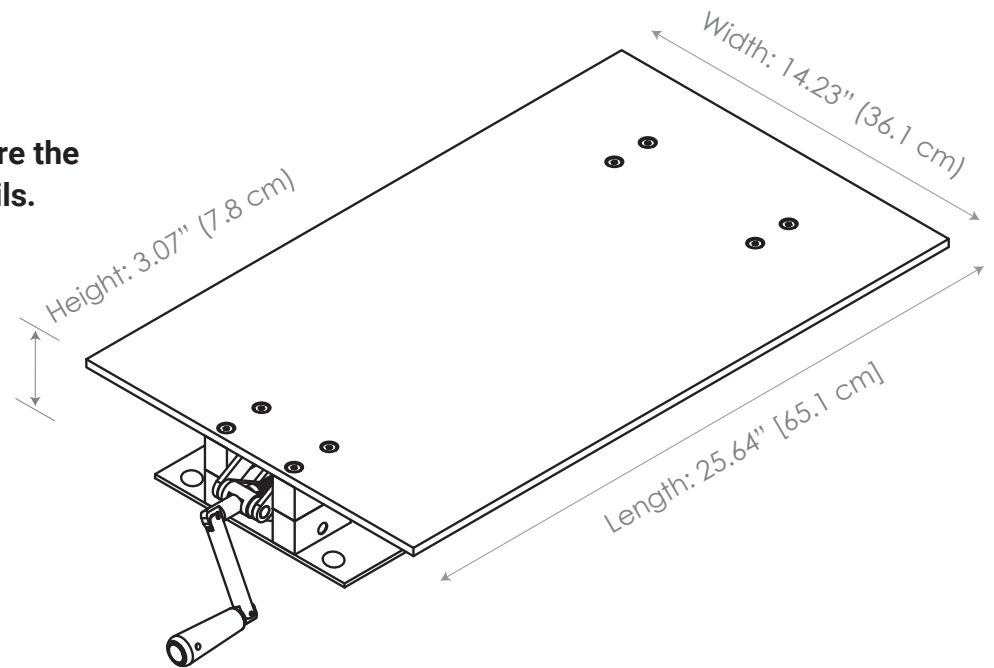
The RS-500X Rail Lift attaches to any ServerLIFT lift platform, enabling you to tilt servers into slotted glide rails or keep them level for non-slotted, bolt-in installs:

- ✓ Angle range of zero (level) up to 5 degrees
- ✓ Supports up to 500 lb (227 kg)
- ✓ Weighs only 25 lb (11.3 kg)
- ✓ Includes four (4) platform attachment thumbscrews
- ✓ Fits into standard 19" racks
- ✓ Mounts in right or left orientation for use on either side of data center aisle

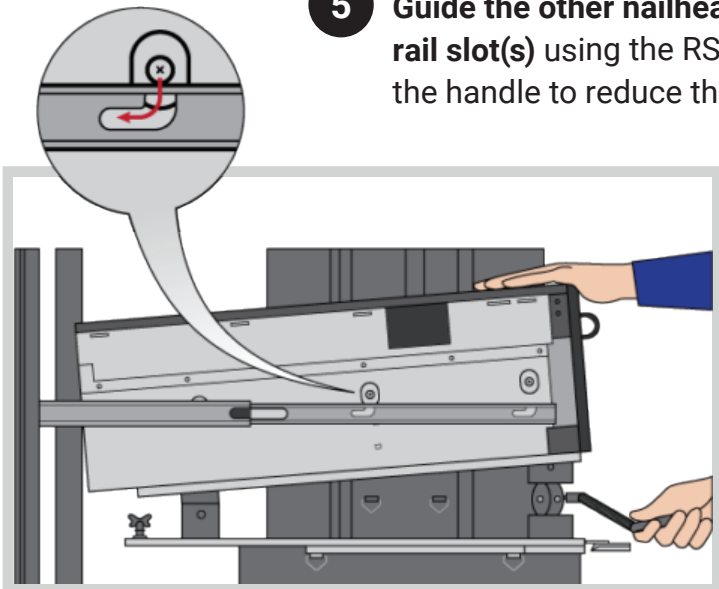
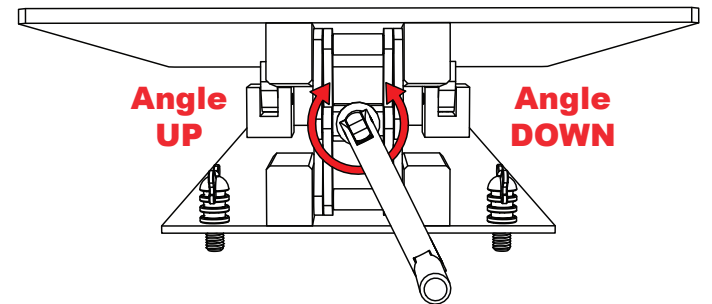


Using the RS-500X Rail Lift:

- 1** For installs, raise ServerLIFT platform to a height where the equipment nailheads are just above the installation rails.
- 2** Shift Easy-Glide Shelf towards the rack and rails. Extend the rails out to line up with nailheads.
- 3** Angle equipment using Rail Lift by rotating the handle so the nailhead closest to the rack is positioned just above the slot.
- 4** Lower ServerLIFT platform so the first nailhead lowers into its slot.



- 5** Guide the other nailhead(s) into their corresponding rail slot(s) using the RS-500X™ Rail Lift by rotating the handle to reduce the equipment angle.



- 6** Once all nailheads are lined up in their respective rail slots, lower the ServerLIFT platform so equipment is fully supported by the rails. Reverse these steps for uncracking server equipment.

phone (602) 254-1557
fax (602) 254-1975
Phoenix, AZ 85023

PART NO.

RS-500X™

DIMENSIONS ARE IN INCHES
[SECONDARY DIMENSIONS
ARE IN CENTIMETERS]