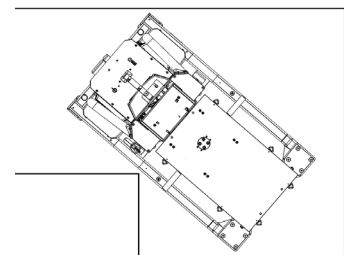
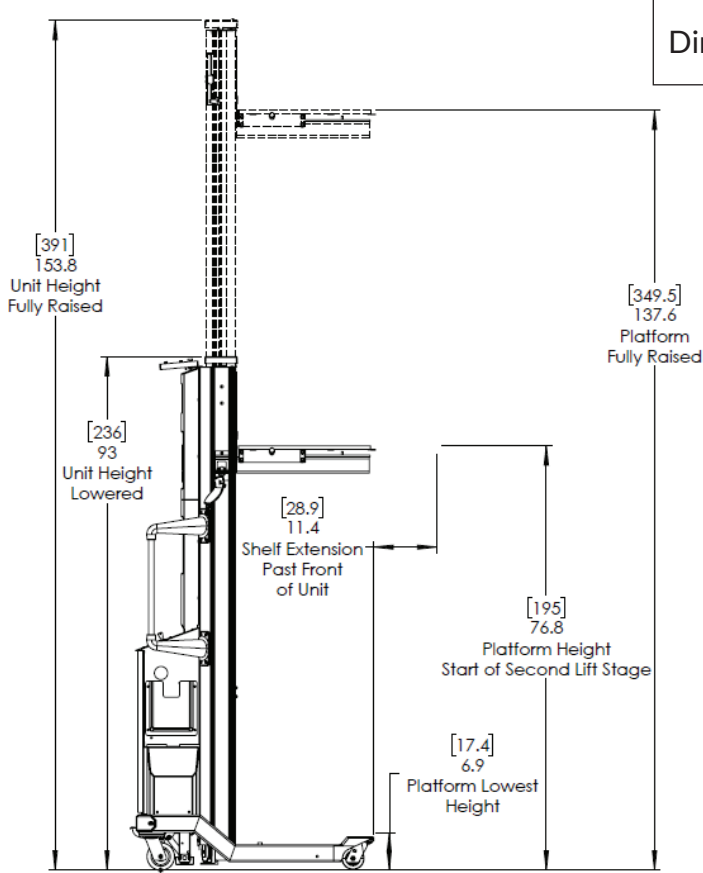
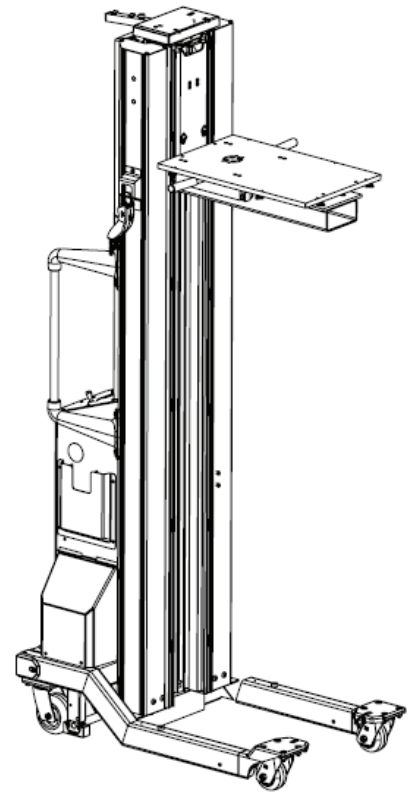




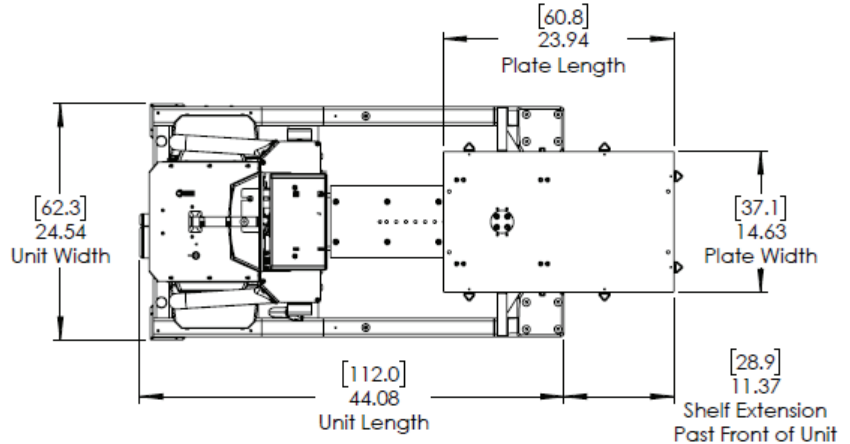
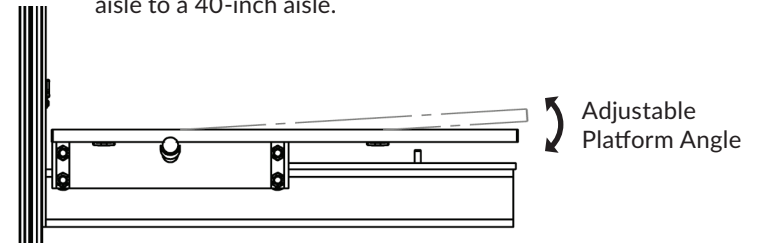
# SL-500FXL TOWERLIFT™

## Extended Height Data

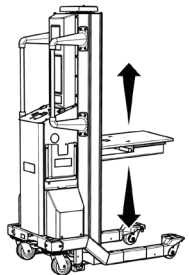
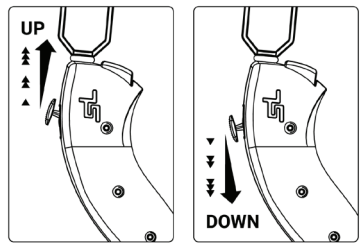
### Center Lift



The lift can smoothly transition from a 32-inch aisle to a 40-inch aisle.

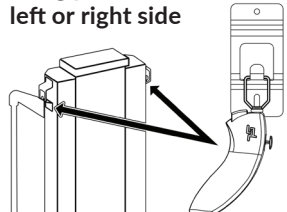


Push joystick to move platform

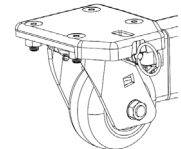


- ✓ The pendant can hang on either side of the lift.
- ✓ The pendant has progressive speed control for precise equipment positioning.
- ✓ The safety button must be held throughout the

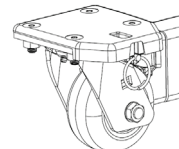
Hang pendant on left or right side



### Front Caster Swivel Lock Operation



CASTER UNLOCKED  
Key turned horizontally



CASTER LOCKED  
Key turned vertically

### Capacity

DESCRIPTION	US (lb)	METRIC (kg)
Platform (Platform Retracted)	500	227
Platform Edge (Platform Extended)	350	159

### Weight

DESCRIPTION	US (lb)	METRIC (kg)
Total unit weight	672	305
Shipping weight	795	361