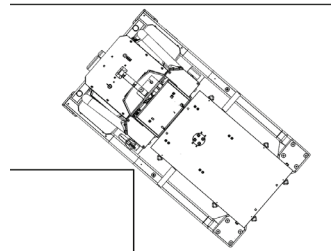
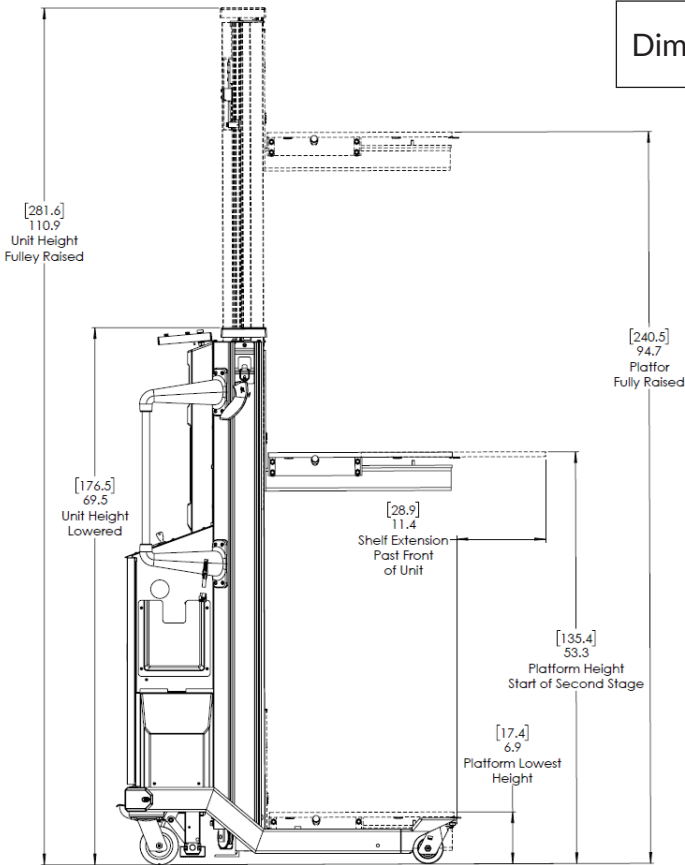
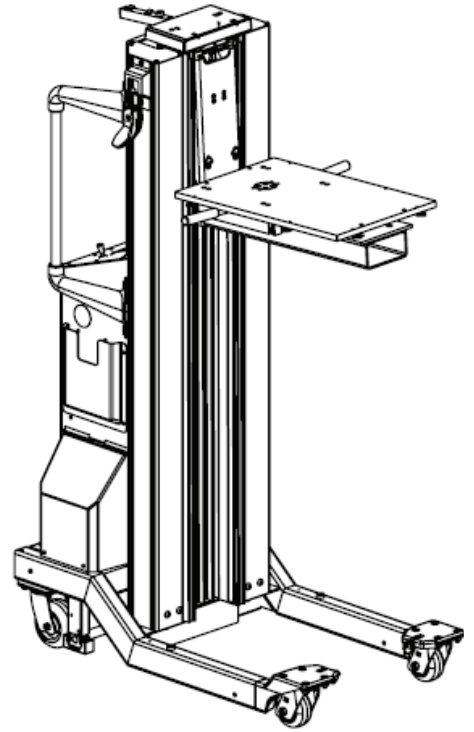
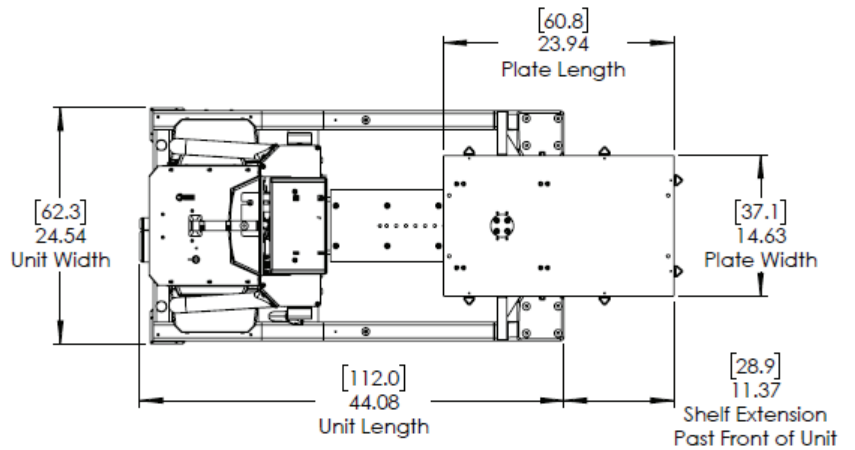
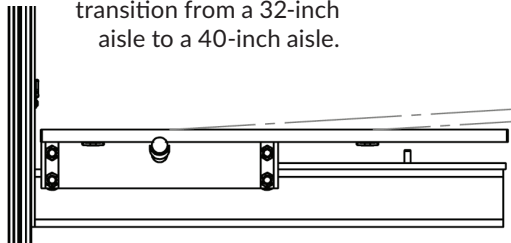




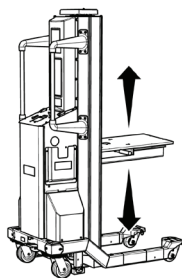
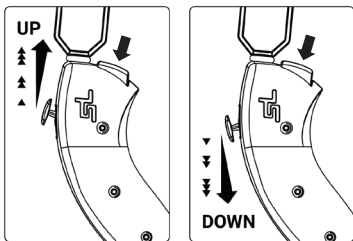
SL-500FX™ FINE ADJUST FRONT LOADING Electric Data Center Lift



The lift can smoothly transition from a 32-inch aisle to a 40-inch aisle.

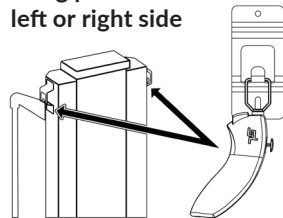


Push joystick to move platform

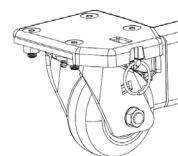


- ✓ The pendant can hang on either side of the lift.
- ✓ The pendant has progressive speed control for precise equipment positioning.
- ✓ The safety button must be held throughout the

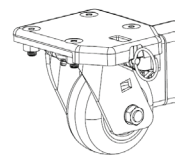
Hang pendant on left or right side



Front Caster Swivel Lock Operation



CASTER UNLOCKED
Key turned horizontally



CASTER LOCKED
Key turned vertically

Capacity

DESCRIPTION	US (lb)	METRIC (kg)
Platform center (Platform retracted)	500	227
Platform edge (Platform extended)	500	227

Weight

DESCRIPTION	US (lb)	METRIC (kg)
Total unit weight	458	208
Shipping weight	570	259