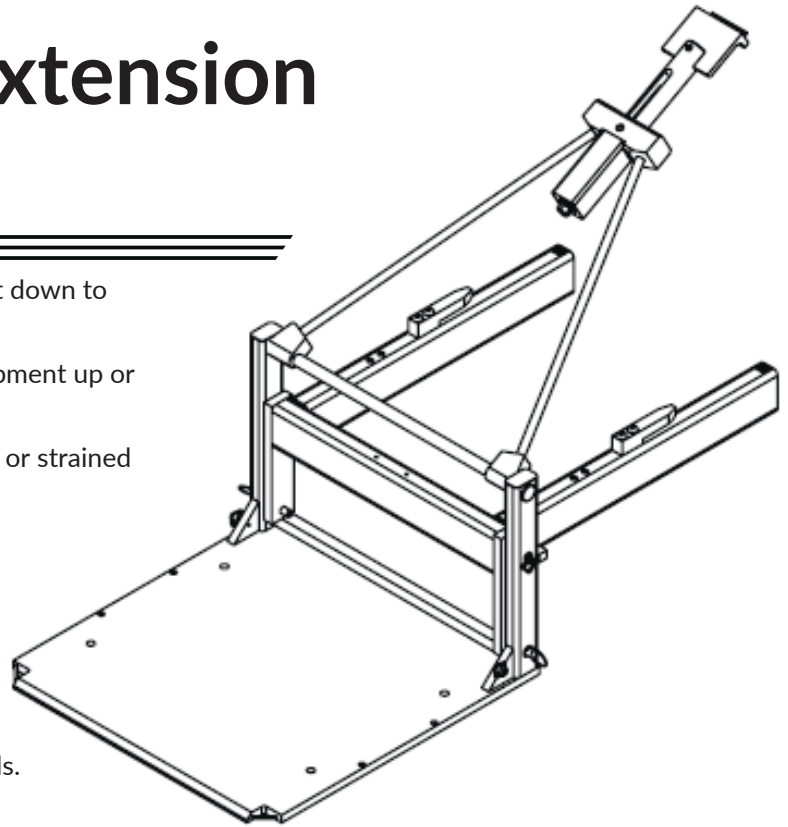




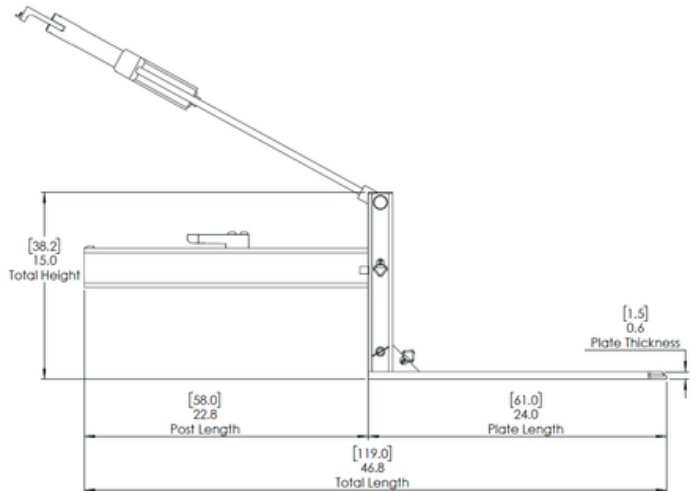
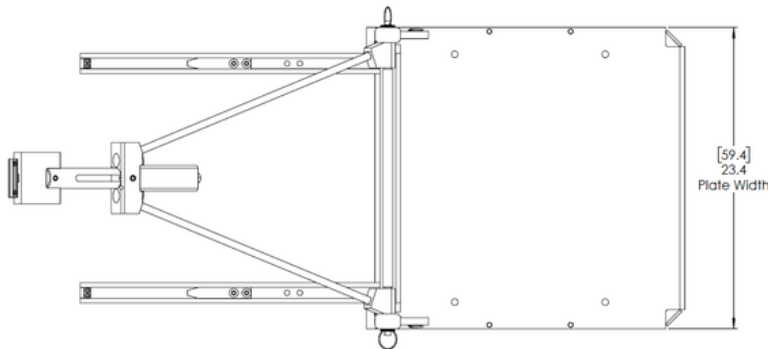
Platform Extension

PL-500X™



- FUNCTION:** Brings the reach of any ServerLIFT unit down to the floor for bottom-rack installations.
- PRECISION:** Platform leveler allows angling of equipment up or down for precise server alignment.
- ERGONOMICS:** Eliminates dangerous back bending or strained lifting.
- EFFICIENCY:** Enables one technician to handle the entire install, reducing the need for extra assistance.
- WEIGHT CAPACITY:** Supports up to 500 pounds (227 kg).
- SAFETY:** Assists with low-rack installs and safely lifts IT equipment out of boxes and off of skids.
- MICRO-LEVELING:** Ensures perfect alignment with both rails or rack posts.
- REACH:** Can reach into corners and against walls for easy installation.

HEIGHT: Not approved to be used over 4 feet.



Capacity: Full Counterweight Installed

DESCRIPTION	US(lb)	METRIC (kg)
ServerLIFT® SL-350X	350	159
350X ServerLIFT®	500	227

SL-500X

Capacity: No Counterweight Kit Installed

DESCRIPTION	US(lb)	METRIC (kg)
SL-350X	200	91
SL-500X	300	136

Dimensions: **[cm]**
[in]

Weight

DESCRIPTION	US (lb)	METRIC (kg)
Total unit weight	152	69
Shipping weight		