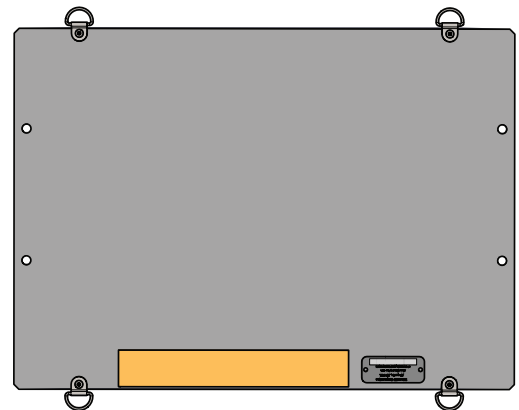


The ServerLIFT WS-1X Wide Shelf add on attachment provides additional reach to our standard ServerLIFT SL-350X, SL-500X, or SL-1000X Platform.

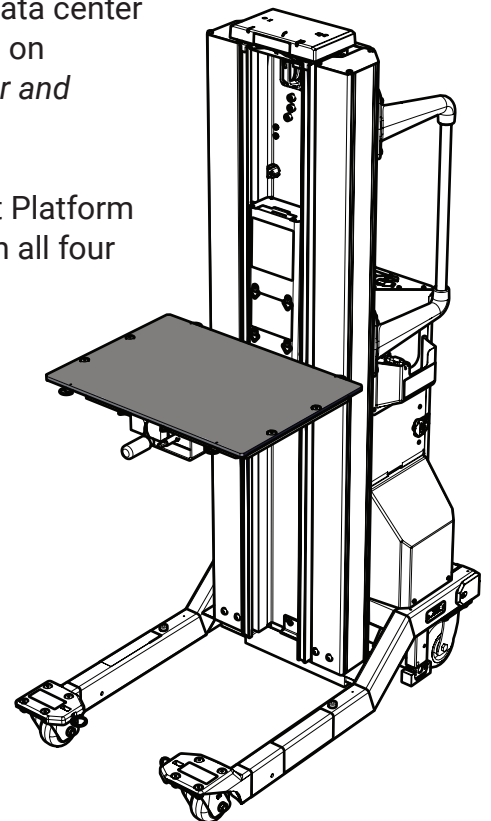
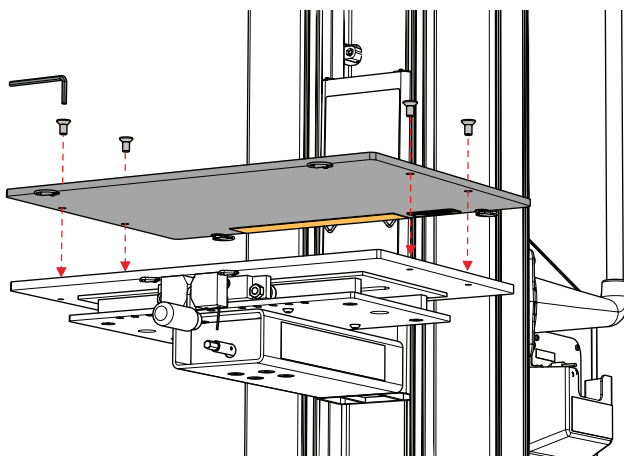
INCLUDED WITH WS-1X WIDE SHELF:

- (1) Wide Shelf Plate
- (4) Flat Head Screws
- (1) Hex Wrench



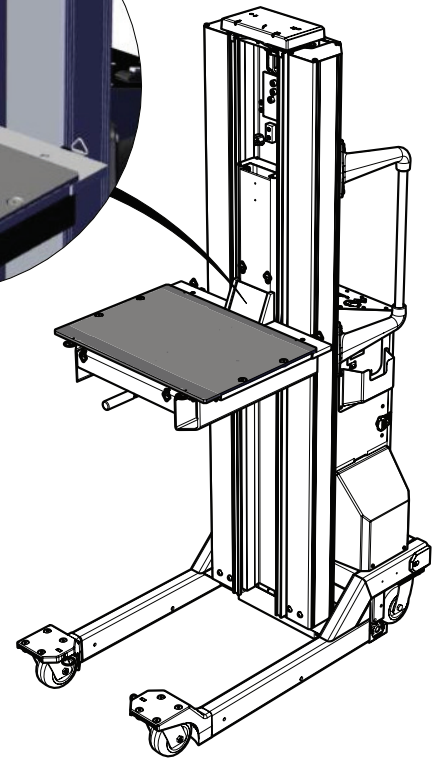
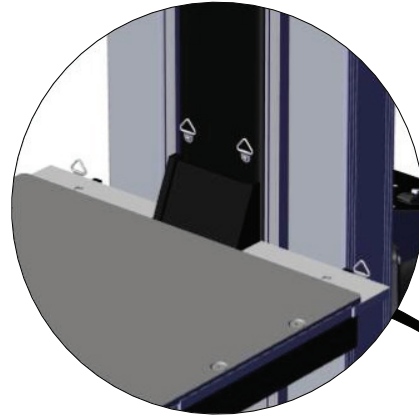
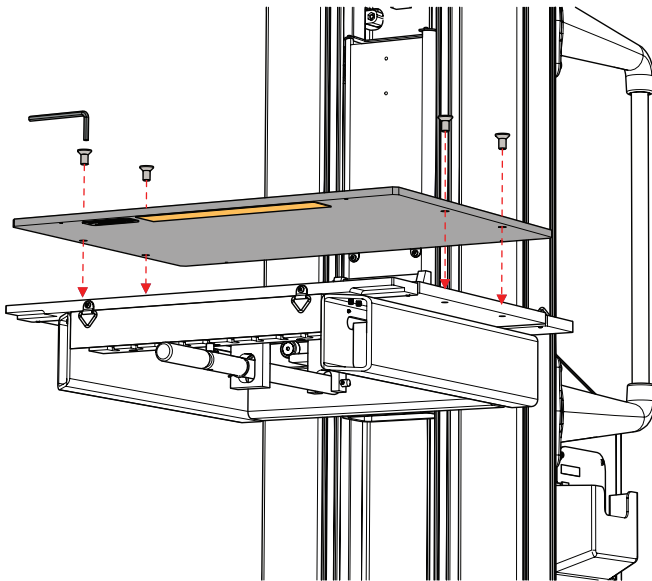
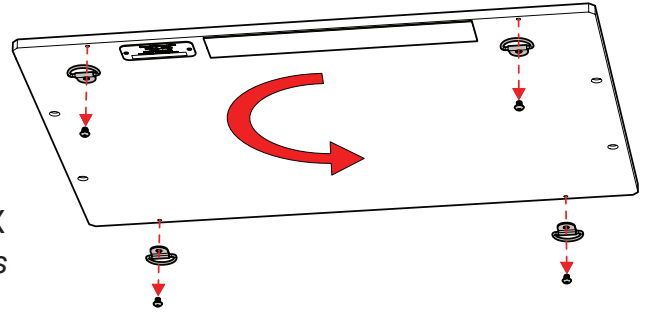
INSTALLING THE WS-1X WIDE SHELF ON SL-500X OR SL-350X LIFTS:

1. Place Wide Shelf Plate onto ServerLIFT SL-500X or SL-350X data center lift. Line up securing screw holes of plate with threaded holes on SL-500X or SL-350X Equipment Platform. *NOTE: Serial number and labels of Wide Shelf Plate should be facing down.*
2. Secure Wide Shelf Plate to the SL-500X or SL-350X Equipment Platform with provided Flat Head Screws using provided Hex Wrench in all four locations as shown.



INSTALLING THE WS-1X ON SL-1000X:

1. Unscrew and remove D-rings from Wide Shelf Plate and store in a secure place.
2. Place Wide Shelf Plate onto ServerLIFT SL-1000X Equipment Platform. Line up securing screw holes of Wide Shelf Plate with threaded holes on SL-1000X Equipment Platform. *NOTE: Serial number and labels of Wide Shelf Plate should be facing down.*
3. Secure Wide Shelf Plate to the SL-1000X Equipment Platform with provided Flat Head Screws using provided Hex Wrench in all four locations as shown.



ServerLIFT Corporation

17453 N. 25th Ave. Phoenix, AZ 85023
P: 602.254.1557 F: 602.254.1975
www.serverlift.com



Please read and completely understand the contents of the ServerLIFT Operator's Manual before operating the ServerLIFT device. Failure to read, understand, and follow instructions in the manual may result in property damage and/or personal injury. If you do not understand any part of this manual or if you have any questions please contact ServerLIFT Service & Support.

Service & Support:
support@serverlift.com

Shipping/Receiving:
shipping@serverlift.com

Sales:
sales@serverlift.com

11-2019 r.A03