



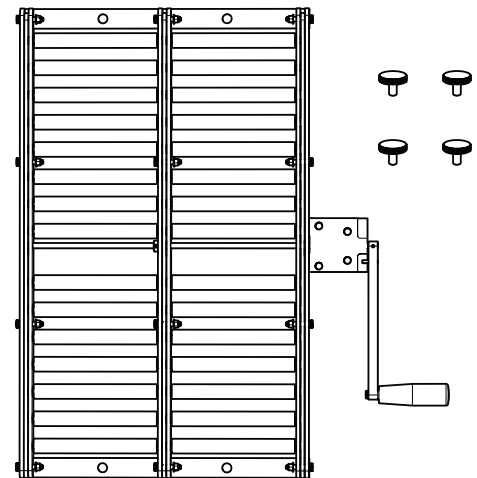
GT-1000X™ GLIDE TABLE

INSTALLATION AND OPERATING INSTRUCTIONS

The GT-1000X Glide Table accessory lets you effortlessly slide heavy equipment on or off the ServerLIFT Platform or lock it so the server equipment does not move.

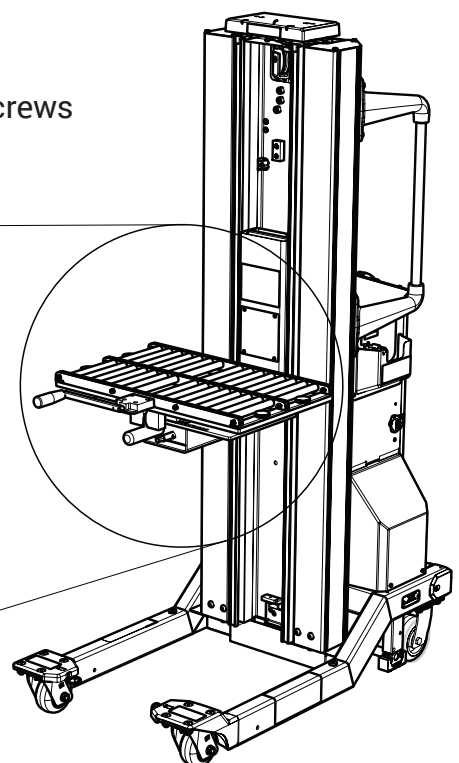
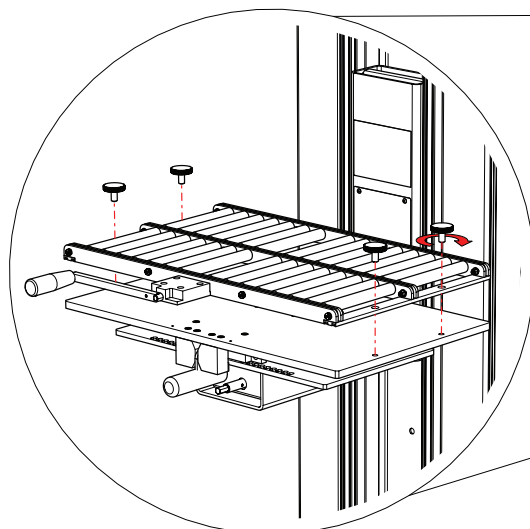
INCLUDED WITH GT-1000X GLIDE TABLE:

- (1) Roller Plate
- (4) Thumb Screws



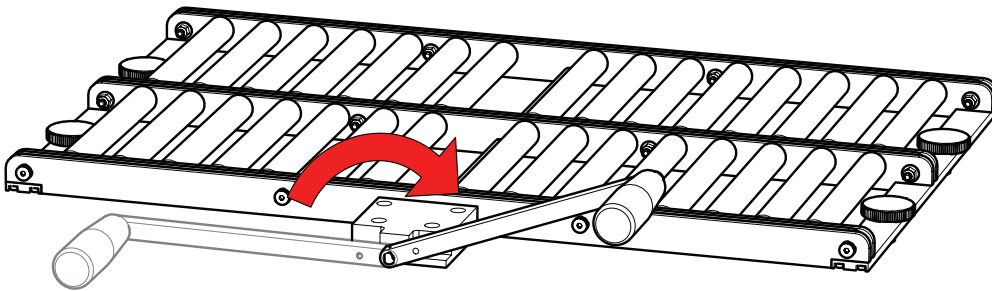
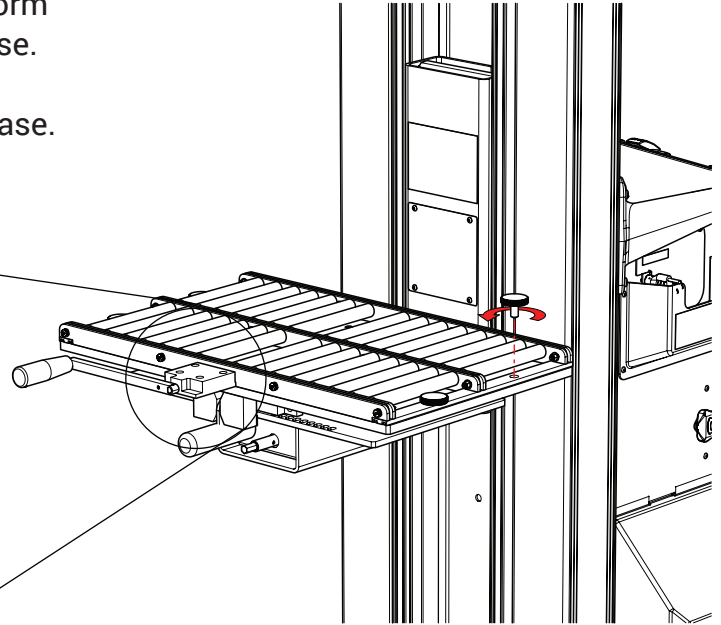
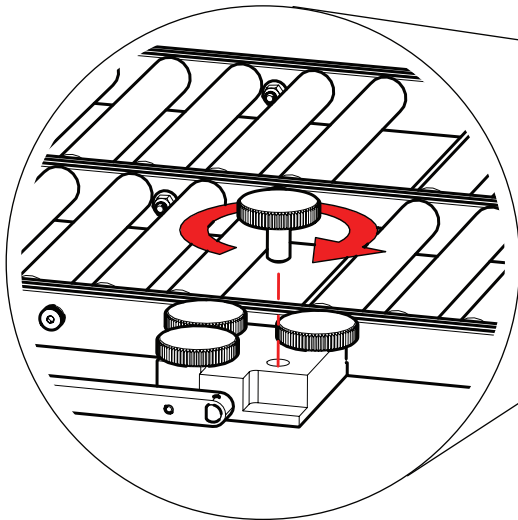
INSTALLING THE GT-1000X GLIDE TABLE:

1. Place Glide Table onto ServerLIFT Platform. Line up securing screw holes of Glide Table with threaded holes on unit platform.
2. Secure Glide Table to the unit platform with the four thumb screws provided. Twist thumb screws clockwise to tighten.

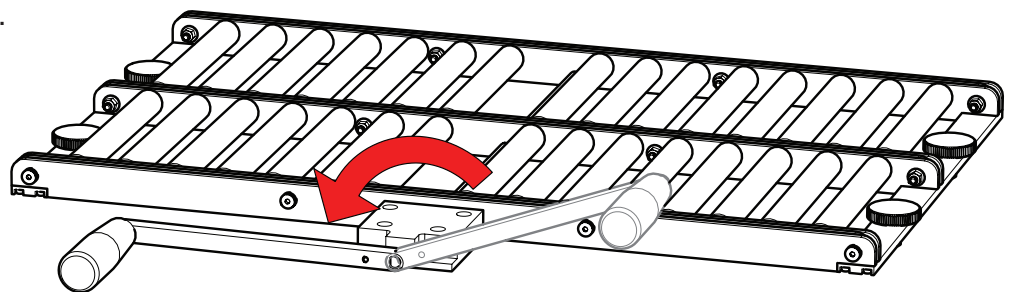


REMOVAL & STORAGE:

1. To remove the Glide Table from the unit platform and rotate the thumbscrews counterclockwise.
2. Thumb Screws can be stored in the handle base.



Rotate the handle clockwise to lock.



Rotate the handle counter-clockwise to unlock.

⚠ DANGER

NEVER place more than the maximum load of the ServerLIFT unit on the GT-1000X. The maximum rated load of every ServerLIFT unit is posted on the unit itself. The maximum load of all ServerLIFT units is reduced at the edge of the Shelf when the Platform Shelf is extended.

NEVER raise or lower the ServerLIFT Platform with shelf out of neutral (center) position OR with the GT-1000X in the UNLOCKED position.

ONLY UNLOCK the GT-1000X when the ServerLIFT unit is stopped AND the Stabilizer Brake is applied.

⚠ WARNING

**GT-1000X™
MAX. LOAD**

 Max. Load
at Center
of the
Platform

1000 lbs
(454 kg)

 Max. Load
at Edge of
Extended
Platform

400 lbs
(182 kg)

Max. load rating is ALWAYS superceded by ServerLIFT unit load rating.